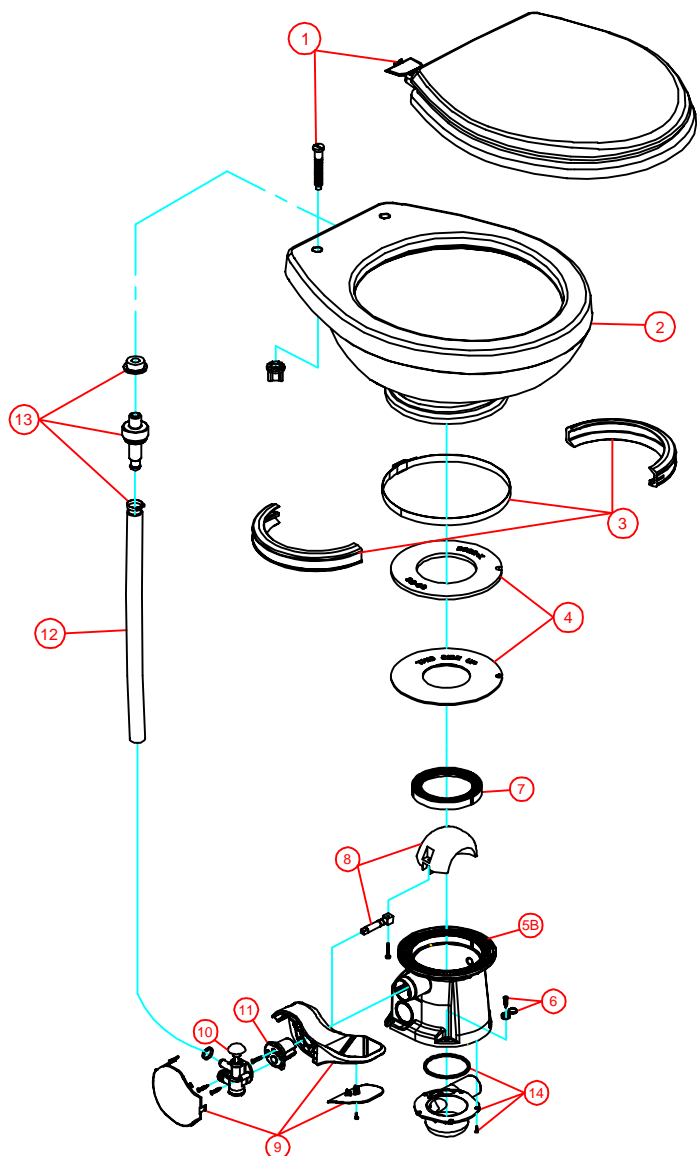


PARTS LIST: VACUFLUSH 5147-5148-5149

ITEM	PART NO.	DESCRIPTION	ITEM	PART NO.	DESCRIPTION
1	385343829	SEAT & LID ASSEMBLY, WHITE	5E	385310975	5149 BASE KIT, WHITE (inc. items 3-13)
	385343831	SEAT & LID ASSEMBLY, BONE		385310976	5149 BASE KIT, BONE (inc. items 3-13)
2	385311079	CHINA BOWL, WHITE	6	385310679	MOUNTING KIT, WHITE
	385311080	CHINA BOWL, BONE		385310785	MOUNTING KIT, BONE
3	385310048	HALF CLAMP KIT, BONE	7	600343534	RING BASE INSERT
	385310025	HALF CLAMP KIT, WHITE	8	385310681	BALL/SHAFT/CARTRIDGE KIT (inc. item 11)
4	385310677	RUBBER SEAL KIT	9	385310682	FLUSH PEDAL KIT-WHITE (inc.item 11)
5	385310685	5147 BASE KIT, WHITE (inc. items 3-13)	9	385310762	FLUSH PEDAL KIT-BONE (inc.item 11)
	385310783	5147 BASE KIT, BONE (inc. items 3-13)	10	385314349	WATER VALVE KIT
	385310686	5148 BASE KIT, WHITE (inc. items 3-13)	11	385310683	SPRING CARTRIDGE KIT
	385310784	5148 BASE KIT, BONE (inc. items 3-13)	12	600345377	SUPPLY HOSE, WHITE
			12	600340177	SUPPLY HOSE, BONE
			13	385311083	INLINE CHECK VALVE, KIT
			14	385310680	DISCHARGE CUP 47 - 48, KIT
				385310936	DISCHARGE CUP 49, KIT



TOILET MODEL	DISCHARGE LOCATION
5147	OPPOSITE PEDAL
5148	REAR OF TOILET
5149	UNDER PEDAL



Dometic Corporation - Sanitation Systems
13128 State Rt. 226, P.O. Box 38
Big Prairie, OH 44611-0038 USA
Telephone: 330-496-3211
Fax: 330-496-3097
Email: sealand@dometicusa.com