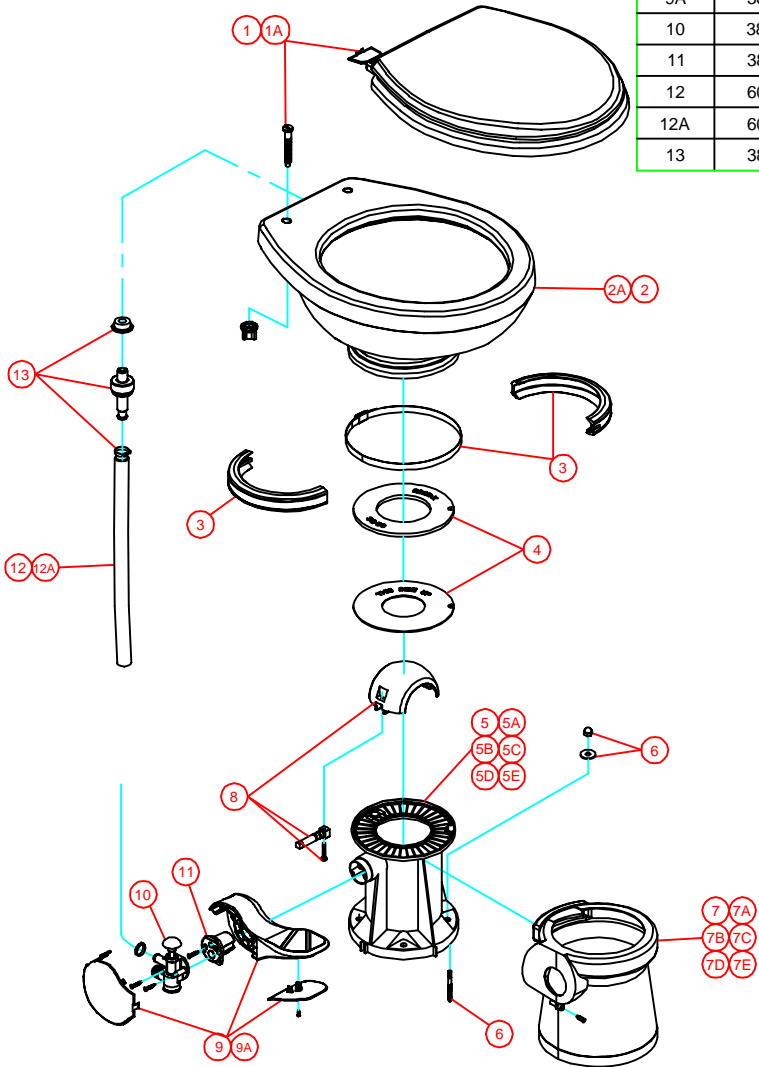


# PARTS LIST: VACUFLUSH 5047-5048-5049

ITEM	PART NO.	DESCRIPTION	ITEM	PART NO.	DESCRIPTION
1	385343829	SEAT & LID ASSEMBLY, WHITE	5D	385310903	5049 BASE KIT, WHITE (inc. items 3-13)
1A	385343831	SEAT & LID ASSEMBLY, BONE	5E	385311087	5049 BASE KIT, BONE (inc. items 3-13)
2	385311079	CHINA BOWL, WHITE	6	385310323	MOUNTING KIT
2A	385311080	CHINA BOWL, BONE	7	385310674	5047 PEDESTAL COVER KIT, WHITE
3	385310048	HALF CLAMP KIT, BONE	7A	385310613	5047 PEDESTAL COVER KIT, BONE
4	385310677	RUBBER SEAL KIT	7B	385310136	5048 PEDESTAL COVER KIT, WHITE
5	385311084	5047 BASE KIT, WHITE (inc. items 3-13)	7C	385310137	5048 PEDESTAL COVER KIT, BONE
5A	385311085	5047 BASE KIT, BONE (inc. items 3-13)	7D	385310904	5049 PEDESTAL COVER KIT, WHITE
5B	385310910	5048 BASE KIT, WHITE (inc. items 3-13)	7E	385310913	5049 PEDESTAL COVER KIT, BONE
5C	385311086	5048 BASE KIT, BONE (inc. items 3-13)	8	385310681	BALL/SHAFT/CARTRIDGE KIT (inc. item 11)
			9	385310682	FLUSH PEDAL KIT-WHITE (inc.item 11)
			9A	385310786	FLUSH PEDAL KIT-BONE (inc.item 11)
			10	385314349	WATER VALVE KIT
			11	385310683	SPRING CARTRIDGE KIT
			12	600345377	SUPPLY HOSE, WHITE
			12A	600340177	SUPPLY HOSE, BONE
			13	385311083	INLINE CHECK VALVE, KIT



TOILET MODEL	DISCHARGE LOCATION
5047	OPPOSITE PEDAL
5048	REAR OF TOILET
5049	UNDER PEDAL



Dometic Corporation - Sanitation Systems  
 13128 State Rt. 226, P.O. Box 38  
 Big Prairie, OH 44611-0038 USA  
 Telephone: 330-496-3211  
 Fax: 330-496-3097  
 Email: sealand@dometicusa.com