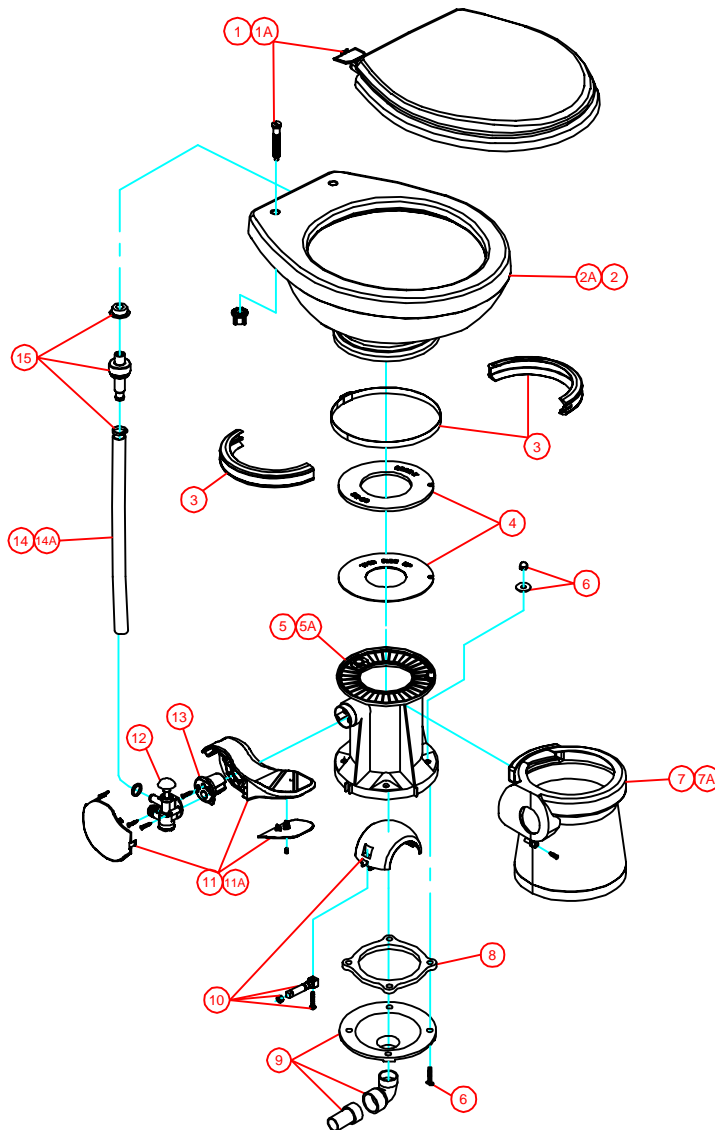


PARTS LIST: VACUFLUSH 5009

ITEM	PART NO.	DESCRIPTION	ITEM	PART NO.	DESCRIPTION
1	385343829	SEAT & LID ASSEMBLY, WHITE	8	385310063	FLOOR FLANGE SEAL KIT (inc. item 6)
1A	385343831	SEAT & LID ASSEMBLY, BONE	9	385318864	FUNNEL KIT (inc. items 6 & 8)
2	385311079	CHINA BOWL, WHITE	10	385310681	BALL/SHAFT/CARTRIDGE KIT (inc. item 12)
2A	385311080	CHINA BOWL, BONE	11	385310682	FLUSH PEDAL KIT-WHITE (inc.item12)
3	385310048	HALF CLAMP KIT, BONE	11A	385310786	FLUSH PEDAL KIT-BONE (inc.item12)
4	385310677	RUBBER SEAL KIT	12	385314349	WATER VALVE KIT
5	385311081	BASE KIT, WHITE (inc. items 3-13)	13	385310683	SPRING CARTRIDGE KIT
5A	385311082	BASE KIT, BONE (inc. items 3-13)	14	600345377	SUPPLY HOSE, WHITE
6	385310064	MOUNTING KIT	14A	600340177	SUPPLY HOSE, BONE
7	385310111	PEDESTAL COVER KIT, WHITE	15	385311083	VACUUM BREAKER KIT
7A	385310112	PEDESTAL COVER KIT, BONE			



Dometic Corporation - Sanitation Systems
13128 State Rt. 226, P.O. Box 38
Big Prairie, OH 44611-0038 USA
Telephone: 330-496-3211
Fax: 330-496-3097
Email: sealand@dometicusa.com