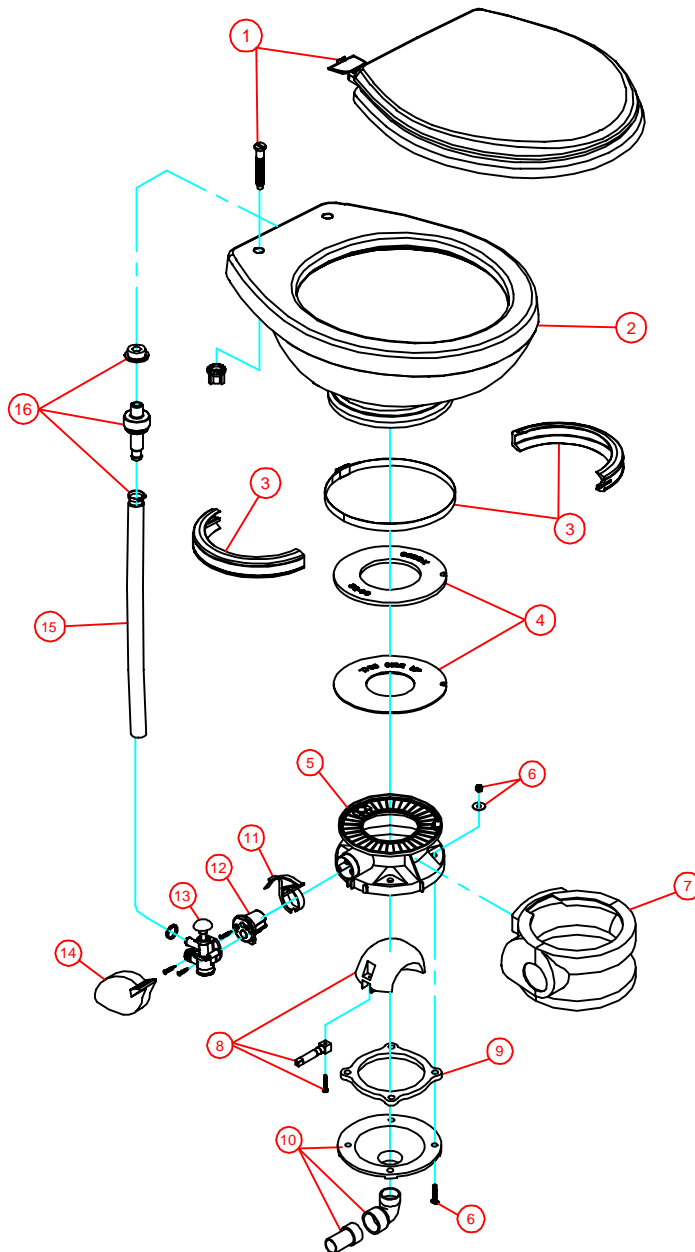


PARTS LIST: VACUFLUSH 5006

ITEM	PART NO.	DESCRIPTION	ITEM	PART NO.	DESCRIPTION
1	385343829	SEAT & LID ASSEMBLY, WHITE	8	385310681	BALL/SHAFT/CARTRIDGE KIT (inc. item 12)
	385343831	SEAT & LID ASSEMBLY, BONE	9	385310063	FLOOR FLANGE SEAL KIT (inc.item 6)
2	385311079	CHINA BOWL, WHITE	10	385318864	FUNNEL KIT (inc.item 6 & 9)
	385311080	CHINA BOWL, BONE	11	385310579	FLUSH PEDAL KIT- (inc.item 12)
3	385310048	HALF CLAMP KIT, BONE	12	385236096	SPRING CARTRIDGE KIT
4	385310677	RUBBER SEAL KIT	13	385314349	WATER VALVE KIT
5	385310943	BASE KIT, WHITE (inc. items 3 -14)	14	385310117	PEDAL COVER, WHITE
	385311088	BASE KIT, BONE (inc. items 3 -14)		385310118	PEDAL COVER, BONE
6	385310064	MOUNTING KIT	15	385345377	SUPPLY HOSE, WHITE
7	385310108	PEDESTAL COVER KIT, WHITE		385340177	SUPPLY HOSE, BONE
	385310109	PEDESTAL COVER KIT, BONE	16	385311083	VACUUM BREAKER KIT



Dometic Corporation - Sanitation Systems
13128 State Rt. 226, P.O. Box 38
Big Prairie, OH 44611-0038 USA
Telephone: 330-496-3211
Fax: 330-496-3097
Email: sealand@dometicusa.com